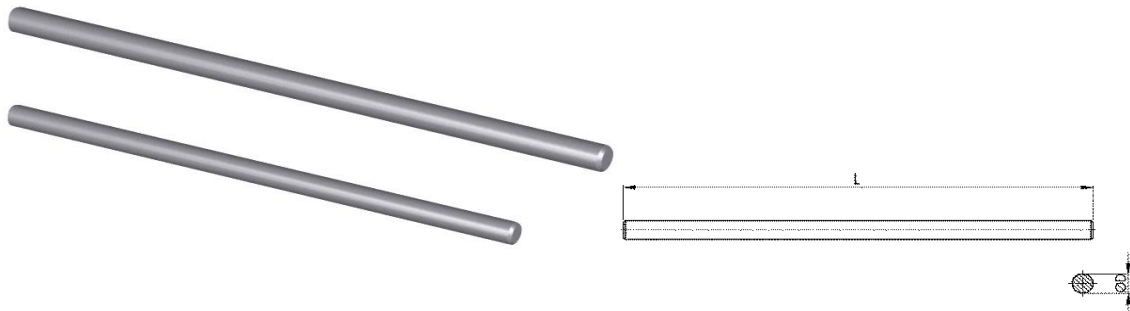


Tommy Bars / Wrench Handles



Art.-No.:	Ø D mm	for borehole Ø D	← L → mm	⚖ g	BASIC PRICE €
70 3010 012	12	12,5	250	225	2,97
70 3010 100	18	19	500	1000	8,20
70 3010 200	18	19	600	1200	9,47
70 3010 500	20	21	500	1230	13,44
70 3010 630	20	21	630	1400	16,84
70 3010 800	22	23	800	2400	19,39
70 3011 000	22	23	1000	3000	24,47

All tommy bars/handles are, depending on the rust resistance requirements, available in different coatings: gun metal finish, phosphated, painted, cataphoretic dip painted, Zinc plated & Chrome plated.

Please note to choose a tommy bar/ handle according to the borehole of your wrench (see table!).

To enforce the torque effectiveness, we offer tubes to extend the leverage.

Special or custom-made versions at request!

Basic price = gross prices without VAT, in Euro

The stated gross prices are our Suggested Retail Prices (MSRP)

Ø D diameter in mm

⚖ weight in grams

← L → length in mm